

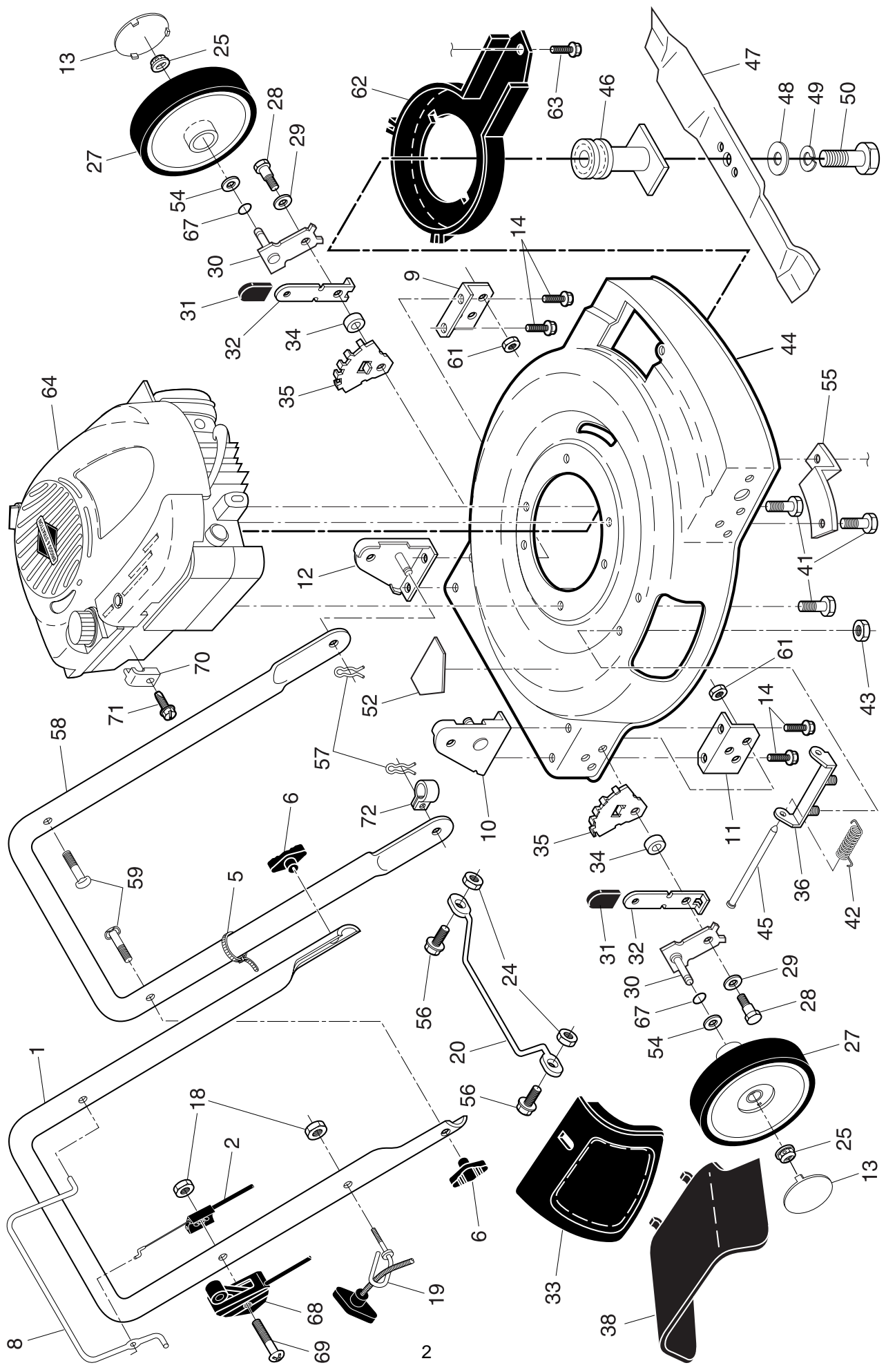
**ILLUSTRATED PARTS LIST**

**CUSTOMER MODEL NUMBER 6556SM**

**PRODUCT NUMBER 961 21 00-06**

**MFG. ID. NUMBER 96121000600**

ROTARY LAWN MOWER -- CUSTOMER MODEL NO. 6556SM (96121000600) PRODUCT NO. 961 21 00-06



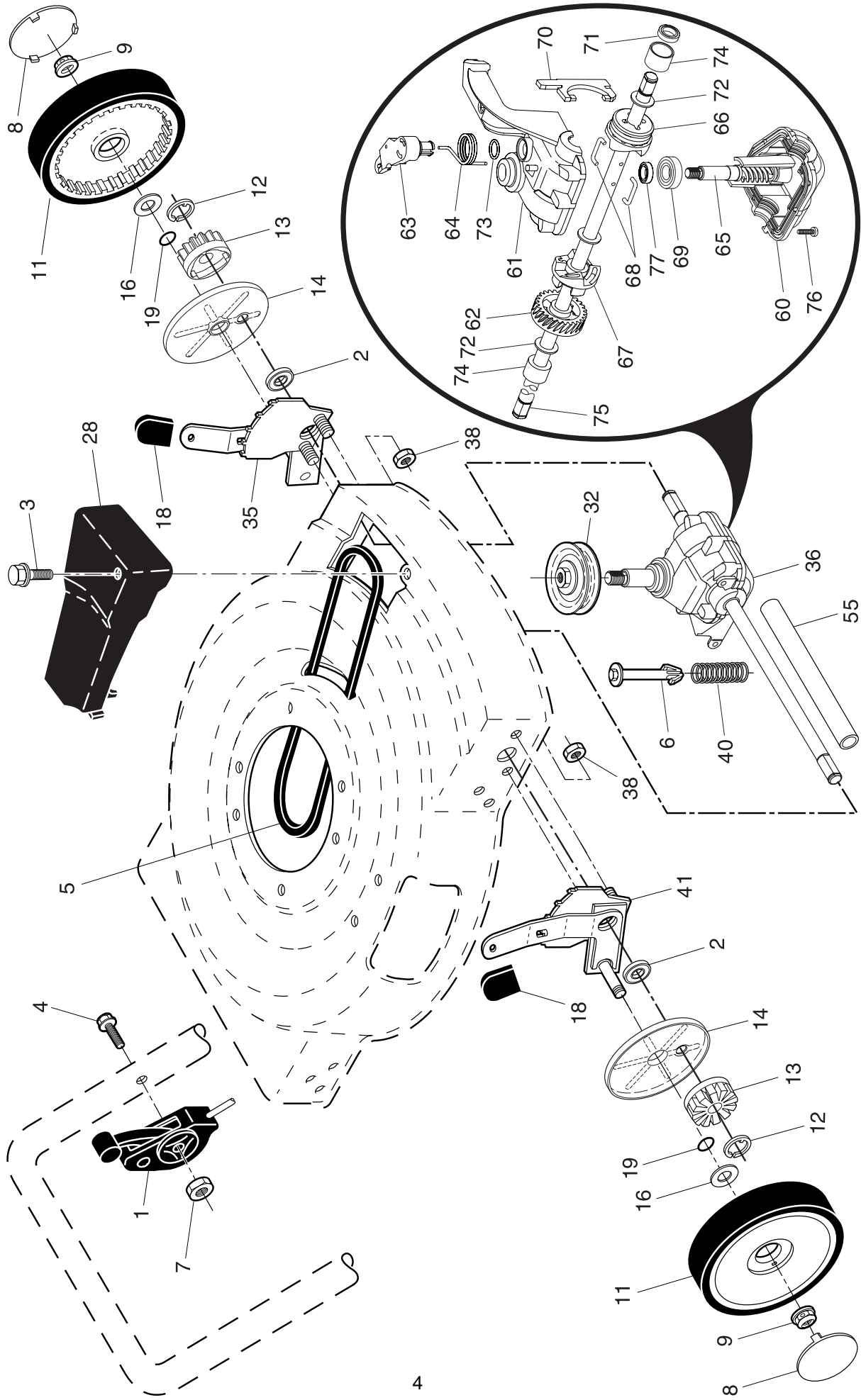
**ROTARY LAWN MOWER - - CUSTOMER MODEL NO. 6556SM (9612100600) PRODUCT NO. 961 21 00-06**

| KEY NO. | PART NO.     | DESCRIPTION                                      | KEY NO. | PART NO.     | DESCRIPTION   |
|---------|--------------|--|---------|--------------|---|
| 1       | 532 17 76-98 | Upper Handle                                     | 43      | 873 80 04-00 | Locknut, Hex  |
| 2       | 532 14 92-93 | Engine Zone Control Cable                        | 44      | 532 19 48-42 | Kit, Mower Housing (Includes Key Number 52)   |
| 5       | 532 06 64-26 | Wire Tie   | 45      | 532 14 72-86 | Rod, Hinge  |
| 6       | 532 19 19-38 | Handle Knob                                      | 46      | 532 18 91-79 | Blade Adapter / Pulley  |
| 8       | 532 14 67-71 | Control Bar                                      | 47      | 532 19 26-82 | Blade, 22"  |
| 9       | 532 19 58-00 | Support Bracket, Handle, LH                      | 48      | 532 85 10-74 | Washer, Hardened  |
| 10      | 532 17 09-75 | Handle Bracket Assembly, RH                      | 49      | 532 85 02-63 | Washer, Lock, Helical   |
| 11      | 532 19 57-99 | Support Bracket, Handle, RH                      | 50      | 532 85 10-84 | Screw, Hex Head 3/8-24 x 1-3/8 (Grade 8)  |
| 12      | 532 17 09-77 | Handle Bracket Assembly, LH                      | 52      | 532 18 21-66 | Decal, Danger   |
| 13      | 532 16 43-78 | Hubcap   | 54      | 532 08 83-48 | Washer, Flat 3/8  |
| 14      | 532 14 97-41 | Screw, Thread Cutting 5/16-18 x 3/4              | 55      | 532 19 09-39 | Mounting Bracket, Debris Shield   |
| 18      | 532 13 20-04 | Locknut, Keps                                    | 56      | 532 08 58-25 | Screw, Hex Washer Head #10-24 x 1/2   |
| 19      | 532 17 95-85 | Rope Guide                                       | 57      | 532 05 17-93 | Hairpin Cotter  |
| 20      | 532 15 41-47 | Foot Guard                                       | 58      | 532 15 50-44 | Lower Handle  |
| 24      | 532 06 91-80 | Nut, Hex   | 59      | 532 19 15-74 | Handle Bolt   |
| 25      | 532 08 39-23 | Locknut, Hex 3/18-16                             | 61      | 532 75 15-92 | Locknut, Hex  |
| 27      | 532 14 35-93 | Wheel & Tire Assembly, Rear                      | 62      | 532 18 87-84 | Debris Shield   |
| 28      | 532 14 27-48 | Shoulder Bolt                                    | 63      | 532 19 23-25 | Screw, Debris Shield  |
| 29      | 532 06 23-35 | Belleville Washer                                | 64      | - - -        | Engine, Briggs & Stratton, Model Number 123K02 (Order parts from engine manufacturer) |
| 30      | 532 14 98-57 | Axle Arm Assembly                                | 67      | 532 18 81-52 | O-Ring  |
| 31      | 532 08 78-77 | Knob, Selector                                   | 68      | 532 17 02-94 | Throttle Control  |
| 32      | 532 14 17-30 | Spring, Selector                                 | 69      | 532 18 33-65 | Screw   |
| 33      | 532 15 18-89 | Discharge Guard                                  | 70      | 532 11 11-90 | Clamp, Cable  |
| 34      | 532 14 66-30 | Spacer   | 71      | 532 08 38-16 | Screw   |
| 35      | 532 15 50-47 | Bracket, Wheel Adjuster                          | 72      | 532 19 27-70 | Clip, Cable   |
| 36      | 532 15 41-32 | Bracket, Housing                                 | - -     | 532 18 21-34 | Warning Decal (not shown)   |
| 38      | 532 17 65-09 | Deflector, Discharge                             | - -     | 532 19 67-18 | Operator's Manual, European   |
| 41      | 532 15 04-06 | Screw, Hex Head, Threaded, Rolled 3/8-16 x 1-1/8 | - -     | 532 19 67-19 | Operator's Manual, Scandinavian   |
| 42      | 532 15 21-24 | Spring, Torsion                                  |         |              |   |

**NOTE:** All component dimensions given in U.S. inches. 1 inch = 25.4 mm

**IMPORTANT:** Use only Original Equipment Manufacturer (O.E.M.) replacement parts. Failure to do so could be hazardous, damage your lawn mower and void your warranty.

ROTARY LAWN MOWER -- CUSTOMER MODEL NO. 6556SM (96121000600) PRODUCT NO. 961 21 00-06



**ROTARY LAWN MOWER - - CUSTOMER MODEL NO. 6556SM (96121000600) PRODUCT NO. 961 21 00-06**

| KEY NO. | PART NO.     | DESCRIPTION  | KEY NO. | PART NO.       | DESCRIPTION  |
|---------|--------------|--|---------|----------------|--|
| 1       | 532 18 45-87 | Drive Control Assembly, with Cable                     | 41      | 532 15 15-20   | Kit, Wheel Adjuster, RH<br>(Includes Knob and Bearing) |
| 2       | 532 16 73-87 | Bearing, Wheel Adjuster                                | 55      | 532 08 60-12   | Drive Shaft Cover                                      |
| 3       | 532 14 36-03 | Screw, Tapping, Pan Head #10-24 x 2-3/4                | 60      | 532 18 34-97 * | Case, Lower  |
| 4       | 532 15 87-55 | Screw, Machine, Pan Head 1/4-20 x 2-3/16               | 61      | 532 18 34-98 * | Case, Upper  |
| 5       | 532 14 65-27 | V-Belt   | 62      | 532 18 34-99   | Gear, 27 Teeth   |
| 6       | 532 15 04-95 | Bolt, Hex Head 1/4-20 x 2                              | 63      | 532 18 35-00   | Lever, Clutch  |
| 7       | 532 19 17-30 | Nut, Hex   | 64      | 532 18 35-01   | Spring, Return   |
| 8       | 532 16 43-78 | Hubcap   | 65      | 532 18 35-02   | Shaft, Input   |
| 9       | 532 08 39-23 | Locknut, Hex   | 66      | 532 18 35-03   | Dog, Movable   |
| 11      | 532 18 07-56 | Wheel & Tire Assembly                                  | 67      | 532 18 35-04   | Dog, Fixed   |
| 12      | 812 00 00-58 | E-Ring   | 68      | 532 18 35-05   | Wire, Formed   |
| 13      | 532 13 70-54 | Pinion   | 69      | 532 18 35-06   | Bearing, Ball  |
| 14      | 532 18 94-03 | Dust Cover   | 70      | 532 18 35-07   | Fork, Shift  |
| 16      | 532 06 77-25 | Washer   | 71      | 532 18 35-08   | Seal, Output Shaft                                     |
| 18      | 532 08 78-77 | Knob, Selector   | 72      | 532 18 35-09   | Washer   |
| 19      | 532 18 81-52 | O-Ring   | 73      | 532 18 35-10   | Seal, Case   |
| 28      | 532 19 61-92 | Drive Cover  | 74      | 532 18 35-11   | Bushing  |
| 32      | 532 19 41-26 | Pulley, Drive  | 75      | 532 18 75-21   | Shaft, Output  |
| 35      | 532 15 15-21 | Kit, Wheel Adjuster, LH<br>(Includes Knob and Bearing) | 76      | 532 18 35-13   | Screw  |
| 36      | 532 18 72-11 | Gear Case Assembly, Complete                           | 77      | 532 18 35-14   | Seal, Input Shaft                                      |
| 38      | 873 80 04-00 | Locknut, Hex   |         |                |  |
| 40      | 532 13 70-90 | Spring   |         |                |  |

\* Use Dow Corning #709 to reseal Gear Case Halves.

**NOTE:** All component dimensions given in U.S. inches. 1 inch = 25.4 mm

**IMPORTANT:** Use only Original Equipment Manufacturer (O.E.M.) replacement parts. Failure to do so could be hazardous, damage your lawn mower and void your warranty.